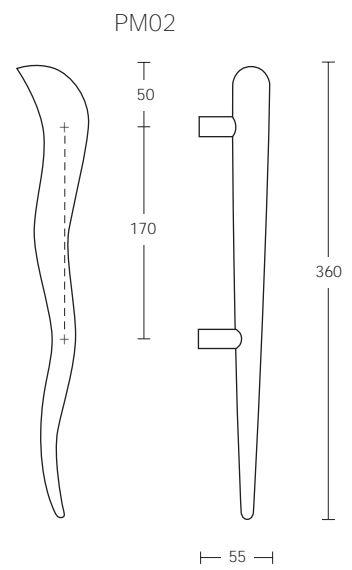
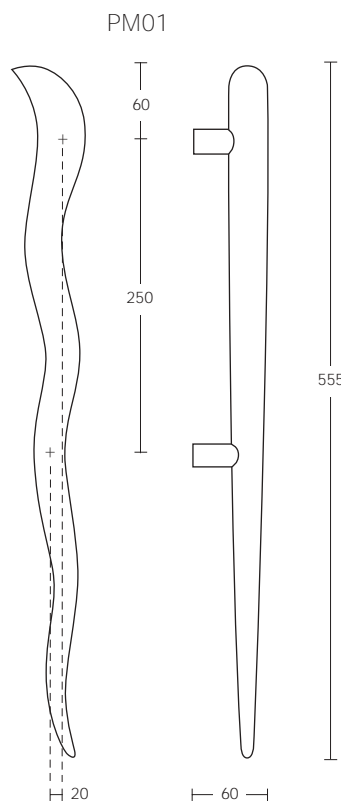
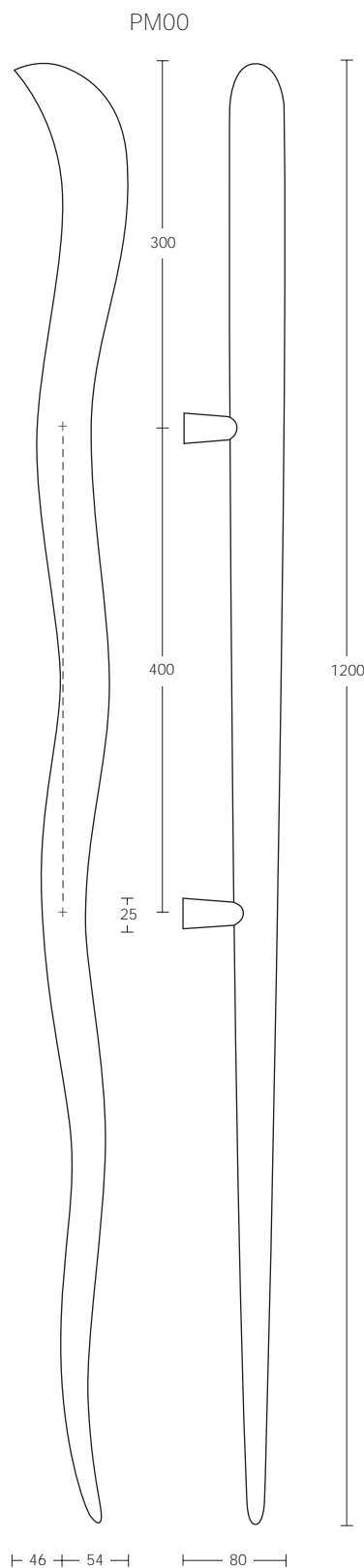


samba

PM02

PM01

Pull Handles



Left hand handles shown.
All pull handles are available right hand or left hand.

For technical details including finishes refer to pages 19-23.

All dimensions are in mm.

Note: One pair of PM00 Pull Handles weigh approximately 18kg. Please ensure door and structure are sufficiently strong to support this added weight.

Available in standard mounting options. Mounting bolts are M8 (8mm diameter). If the PM00 Pull Handle is being used on glass doors, a 12mm hole is required.